

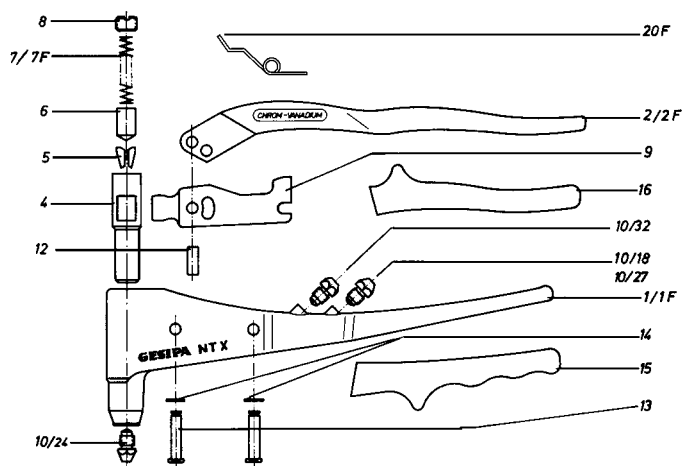
Blind rivet hand tools

NTX and NTX-F (with self opening spring)

Spare part no.	Article no.	Designation
1	145 6624	Tool housing with sleeve grip no. 15
1 F	145 6626	Tool housing with sleeve grip no. 15
2	145 6625	Tool shanks with sleeve grip no. 16
2 F	145 6627	Tool shanks with sleeve grip no. 16
4	143 4070	Jaw housing
5 •	143 4071	Jaws (2-part)
5a •	143 4241	Hard jaws (2-part) for CAP® blind rivets
6 •	143 4072	Jaw pusher
7 •	144 5258	Compression spring
7 F •	144 5260	Compression spring
8	143 4073	Closure screw
9	143 4074	Lever
10/18 •	143 4055	Nosepiece
10/24 •	143 4061	Nosepiece
10/27 •	143 4062	Nosepiece
10/32 •	143 4065	Nosepiece
12	143 4075	Bolt
13	143 4076	Bolt
14	144 5259	Snap ring
15	150 9066	Sleeve grip for tool housing no. 1
16	150 9068	Sleeve grip for tool shank no. 2
17	143 4079	Maintenance wrench SW 10
20 F •	144 5261	Self opening spring
21 F	143 4095	Strap

• Wearing parts

You will find detailed nosepiece allocation tables on page 352.

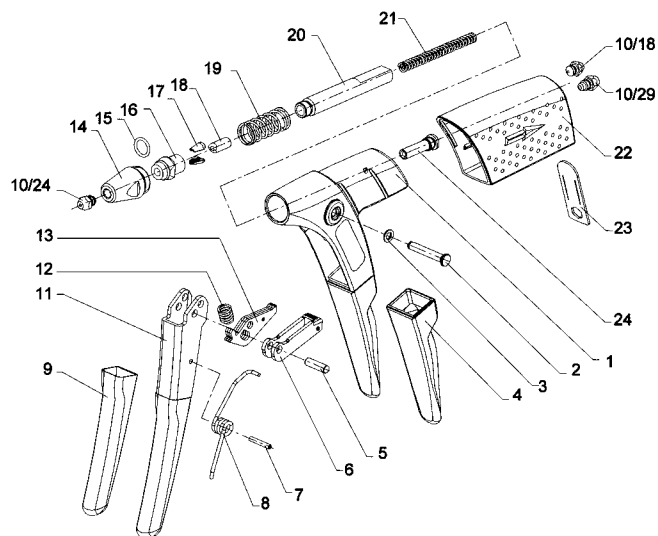


Flipper®

Spare part no.	Article no.	Designation
1	143 3963	Housing with slide block, lever and grip
2	143 3967	Pivot bolt
3	143 3968	Snap ring
4	143 3964	Sleeve grip for housing no. 1
5	143 3976	Bolt
6	143 3974	Drive pawl
7	143 3979	Spring dowel sleeve
8	143 3977	Self opening spring
9	143 3973	Sleeve grip for operating lever no. 11
10/18 •	143 4055	Nosepiece
10/24 •	143 4061	Nosepiece
10/29 •	143 4064	Nosepiece
11	145 6591	Operating lever with sleeve grip
12	143 3978	Retaining spring
13	143 3975	Storage finger (3-part) per set
14	143 3965	Head
15	143 3981	O-ring for jaw housing no. 16
16	145 6590	Jaw housing with O-ring
17 •	143 4071	Jaws (2-part) per set
18 •	143 3970	Jaw pusher
19	143 3972	Return spring
20	143 3969	Lock activator
21 •	143 3971	Compression spring
22	145 6592	Spent mandrel container with maintenance wrench
23	143 3980	Maintenance wrench SW 10
24	143 3966	Closure screw

• Wearing parts

You will find detailed nosepiece allocation tables on page 352.



Changeover set for plastic blind rivets

Spare part no.	Article no.	Designation
10/30 K •	143 4092	Nosepiece
10/35 K •	143 4093	Nosepiece
10/40 K •	143 4094	Nosepiece
17 K •	143 4086	Jaws (2-part) per set
18 K	143 3982	Jaw pusher
24 K	143 3983	Closure screw
	143 3984	Changeover set complete

• Wearing parts