

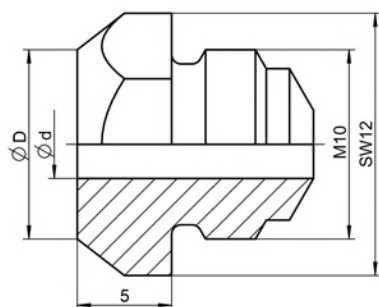
Nosepieces for blind rivet setting tools

SN 2*, HN 2, PH 1, PH 2, PH 2-KA, PH-Axial and PH 2000

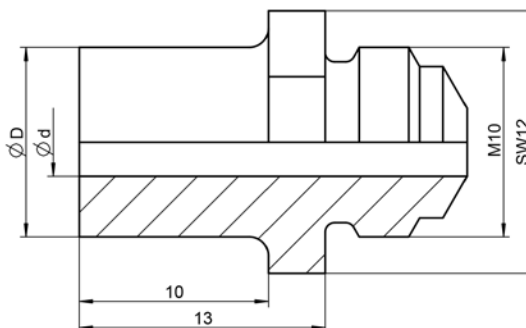
| Rivet Ø | Rivet material | Ø d | Ø D | Standard | Article no. | Extended version (10 mm) | Article no. |
|-----------|--|------|------|-----------|-------------|--------------------------|-------------|
| 2.4 | Al | 1.8 | 6.0 | 16/18 | 143 4285 | V-16/18 | 143 4370 |
| 3.2 | CAP® Al, CAP® copper | 1.8 | 6.0 | 16/18 | 143 4285 | V-16/18 | 143 4370 |
| 3 | Al/Cu | 2.0 | 6.0 | 16/20 | 143 4287 | V-16/20 | 143 4371 |
| 3 and 3.2 | Al, Cu, steel, stainless steel, Stinox, Al/ Al, PG Al, PG steel | 2.4 | 6.0 | 16/24 | 143 4288 | V-16/24 | 143 4372 |
| 4 | Al, Cu, CAP® Al, CAP® Cu | 2.4 | 6.0 | 16/24 | 143 4288 | V-16/24 | 143 4372 |
| 4 | Steel, Al/ Al, PG Al | 2.7 | 8.0 | 16/27 | 143 4289 | V-16/27 | 143 4373 |
| 4 | Stainless steel, Stinox, PG steel | 3.0 | 8.0 | 16/29 | 143 4290 | V-16/29 | 143 4374 |
| 4.8 and 5 | CAP® Al, CAP® Cu, PG Al | 3.0 | 8.0 | 16/29 | 143 4290 | V-16/29 | 143 4374 |
| 4.8 and 5 | Steel, Al/ Al | 3.35 | 8.0 | 16/32 | 143 4291 | V-16/32 | 143 4375 |
| 4.8 and 5 | Stainless steel, Stinox, PG steel | 3.6 | 10.0 | 16/36 | 143 4292 | V-16/36 | 143 4376 |
| 6 | Al | 3.6 | 10.0 | 16/36 | 143 4292 | V-16/36 | 143 4376 |
| 6 | Steel | 4.0 | 10.0 | 16/40 | 143 4293 | ***V-16/40 | 143 4369 |
| 6.4 | Al, PG Al | 4.0 | 10.0 | 16/40 | 143 4293 | ***V-16/40 | 143 4369 |
| 6.4 | Steel, Al/ Al | 4.5 | 10.0 | 16/45 | 143 4300 | V-16/45 | 143 4378 |
| 4 | Plastic | 3.0 | 6.0 | **16/30 K | 143 4130 | | |
| 5 | Plastic | 3.5 | 6.0 | **16/35 K | 143 4131 | | |
| 6 | Plastic | 4.0 | 6.0 | **16/40 K | 143 4132 | | |

* up to April 2010

Standard version
16/..... Nosepieces



Extended version (10 mm)
V-16/..... Nosepieces



| Rivet Ø | Rivet material | Ø d | Ø D | Designation | Article no. |
|---------|----------------|------|------|-------------|-------------|
| 4.8 | all MEGA GRIP® | 3.1 | 8.0 | 16/31 MG | 143 4380 |
| 6.4 | all MEGA GRIP® | 4.2 | 10.0 | 16/41 MG | 143 4381 |
| 4.8 | Monobolt® | 3.15 | 7.7 | 16/31 MB | 143 4379 |
| 6.4 | Monobolt® | 4.2 | 9.5 | 16/42 MB | 143 4163 |

| Rivet Ø | Rivet material | Ø d | Ø D | Designation | Article no. |
|---------|----------------|------|------|-------------|-------------|
| 4 | all BULB-TITE® | 2.64 | 8.0 | 16/26 BT | 143 4301 |
| 5.2 | all BULB-TITE® | 3.23 | 10.0 | 16/32 BT | 143 4302 |
| 6.3 | all BULB-TITE® | 4.2 | 11.0 | 16/42 BT | 143 4303 |
| 7.7 | all BULB-TITE® | 4.8 | 10.0 | 16/48 BT | 143 4304 |

